



MOTORZUBEHOER  
ENGINE ACCESSORIES

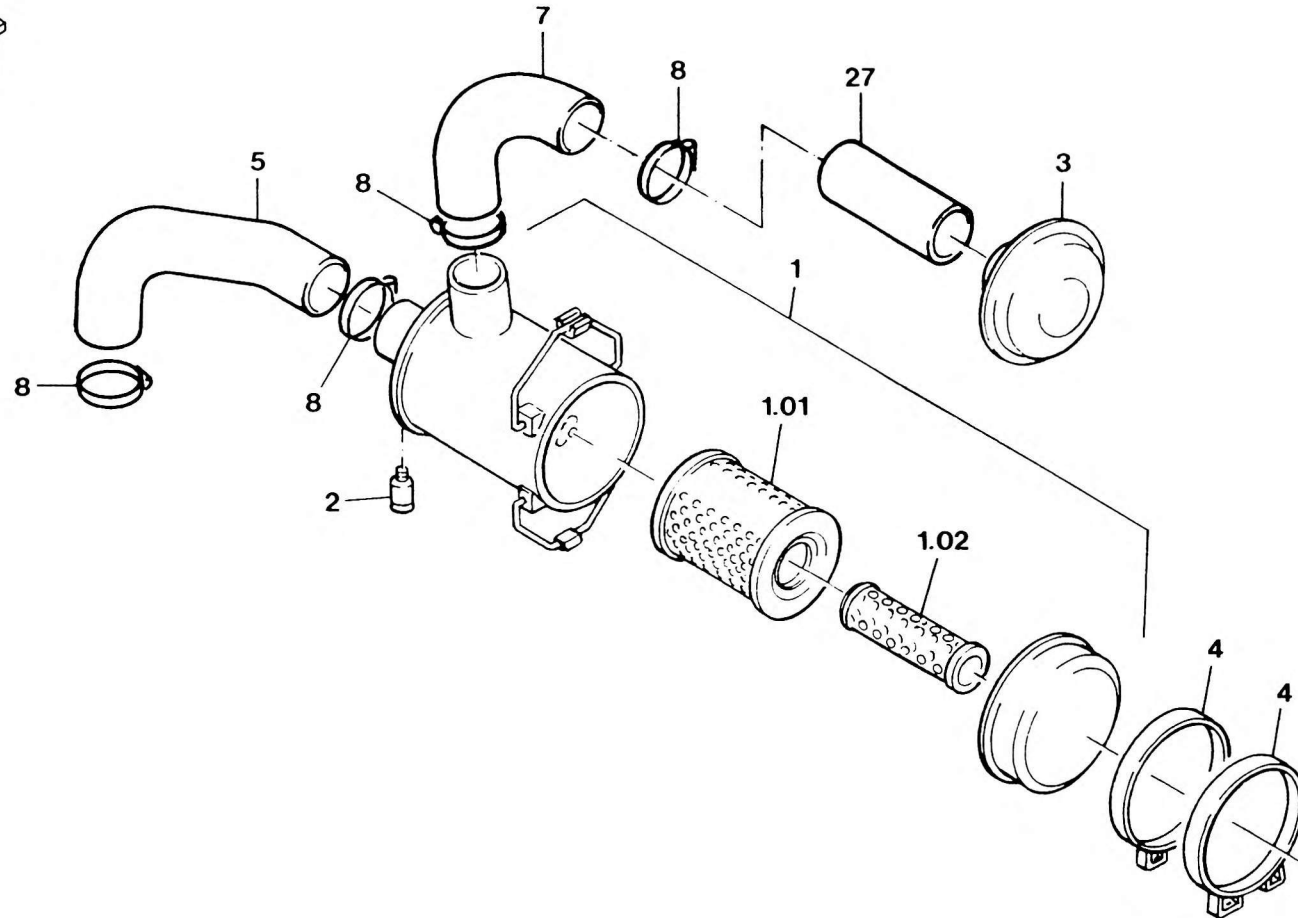
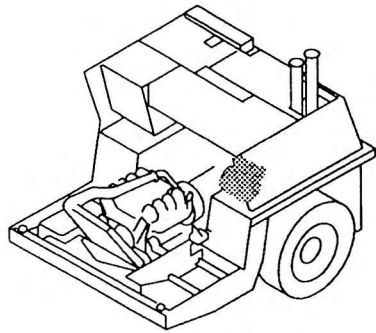
BILDTAFEL  
PICTORIAL DISPLAY

04.93

2083567-ETL J

1/2

KMK 5110  
BE 510  
G 631





MOTORZUBEHOER  
ENGINE ACCESSORIES

BILDTAFEL  
PICTORIAL DISPLAY

04.93

2083567-ETL J

2/2

KMK 5110  
BE 510  
G 631

